

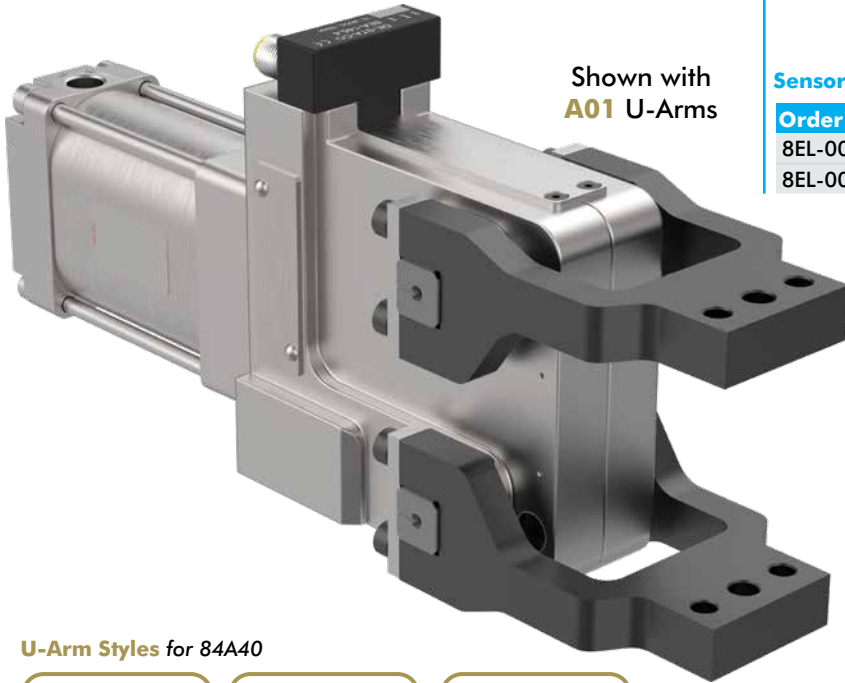
84A

Enclosed Pneumatic Power Clamps | Dual Arm, Tolerance Compensation | Ordering Information

84A **50-1** **A01** **L8**

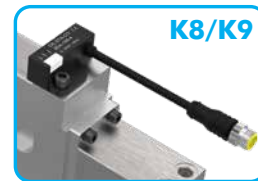
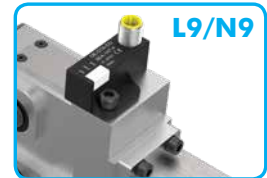
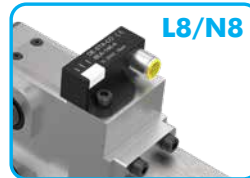
Size	Description
40-1	32 mm Cylinder (G1/8 Port)
50-1	50 mm Cylinder (G1/4 Port)

U-Arm Style	Description
000	Without Clamping Arms
A01	Double Tip, Surface Clamping
A02	Single Tip, Point Clamping
A03	Double Tip, Surface Clamping (Standard Profile 84A40 , Wide Profile 84A50)
A04	Double Tip, Surface Clamping, Wide Profile for 84A50 only



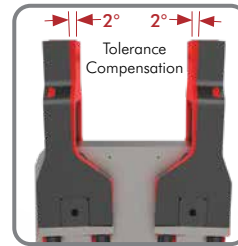
Shown with **A01** U-Arms

Sensor	Description
00	Without Sensing System
L8	PNP Sensor with In-line M12x1 Connector (8EA-146-4)
N8	NPN Sensor with In-line M12x1 Connector (8EA-154-4)
L9	PNP Sensor with 90° M12x1 Connector (8EA-147-4)
N9	NPN Sensor with 90° M12x1 Connector (8EA-155-4)
K8	PNP Sensor with M12x1 Cable Connector (8EA-158-4)
K9	NPN Sensor with M12x1 Cable Connector (8EA-167-4)



Sensor Cables Order separately

Order No.	Description
8EL-002-1	M12x1, Straight, 5-pin Connector w/5 m [16 ft.] Cable
8EL-003-1	M12x1, Angular, 4-pin Connector w/5 m [16 ft.] Cable



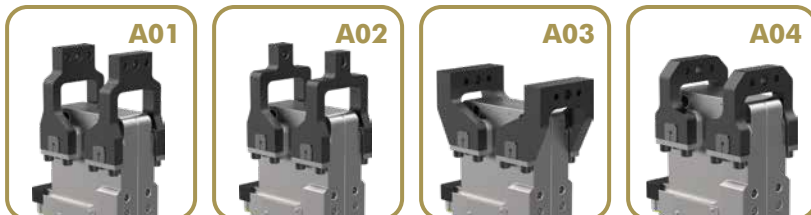
Dual Arm Compensation

- 2° of tolerance compensation per clamp arm
- Compensates for variable sheet metal thicknesses
- There is no need for shimming

U-Arm Styles for 84A40



U-Arm Styles for 84A50

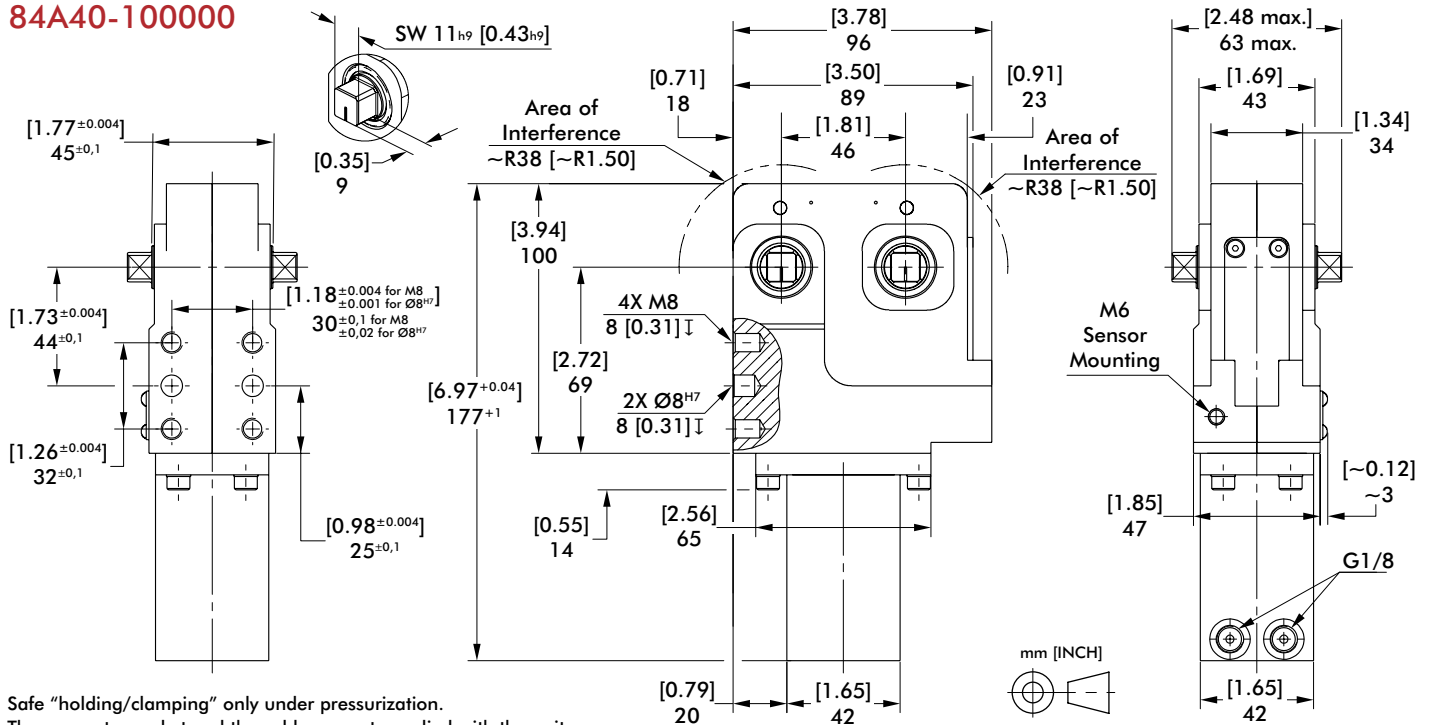


84A40-1

84A50-1

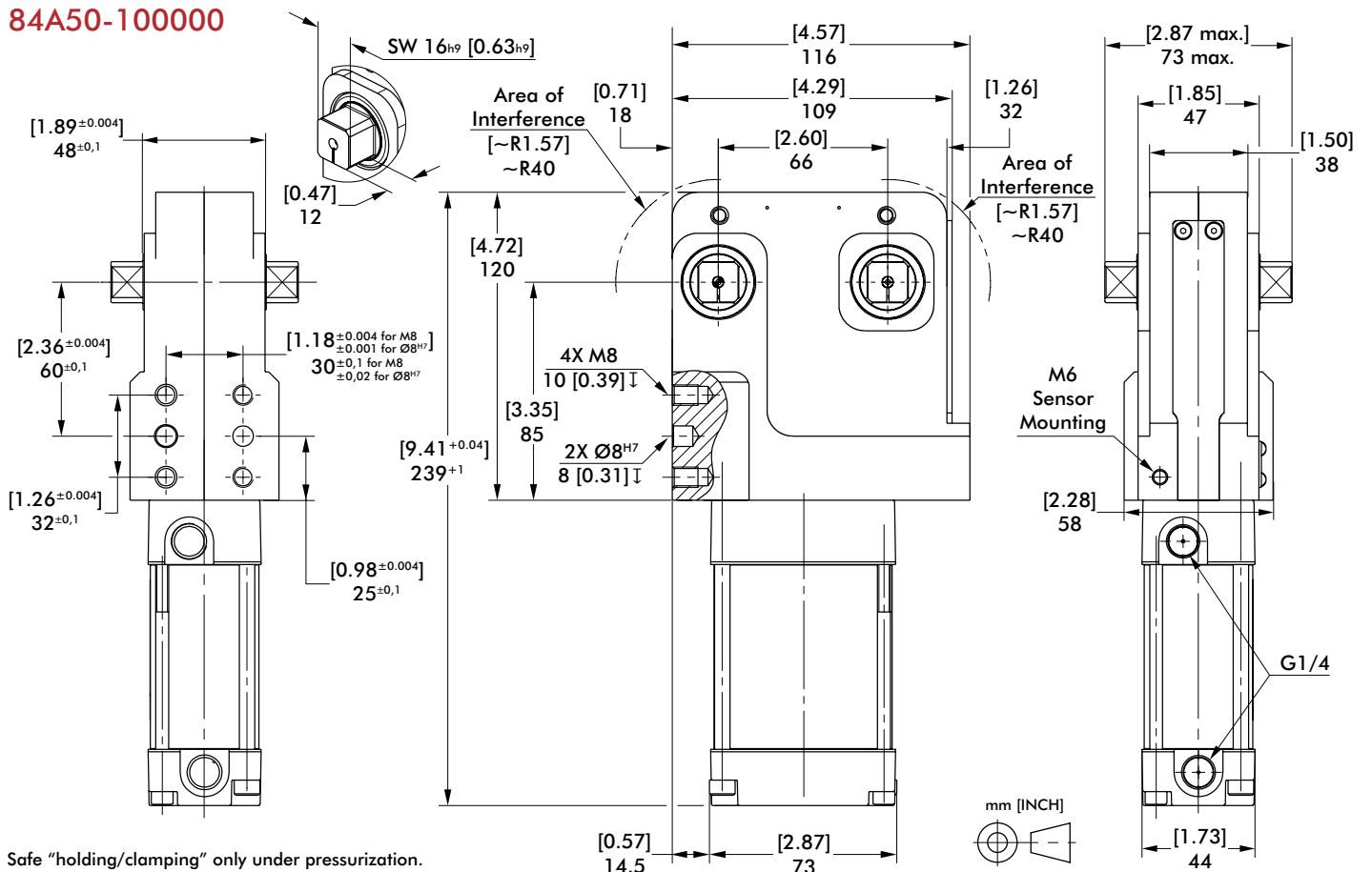
Enclosed Pneumatic Power Clamps | Dual Arm, Tolerance Compensation | Dimensions

84A40-100000



Safe "holding/clamping" only under pressurization.
 The connector socket and the cable are not supplied with the unit.
 Power by compressed air, max. 6 bar operation with oil-free air is permissible.

84A50-100000

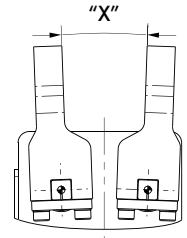
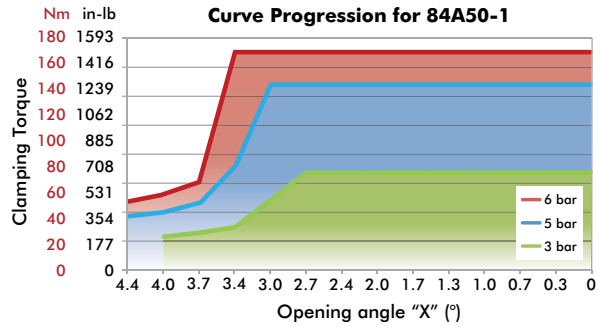
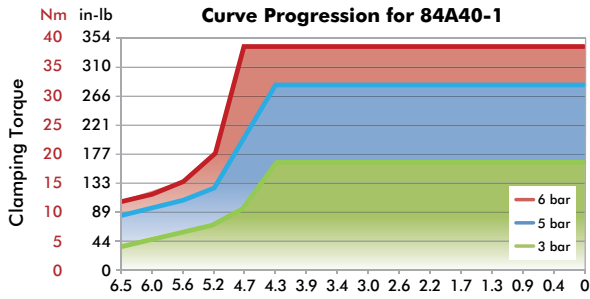


Safe "holding/clamping" only under pressurization.
 The connector socket and the cable are not supplied with the unit.
 Power by compressed air, max. 6 bar operation with oil-free air is permissible.

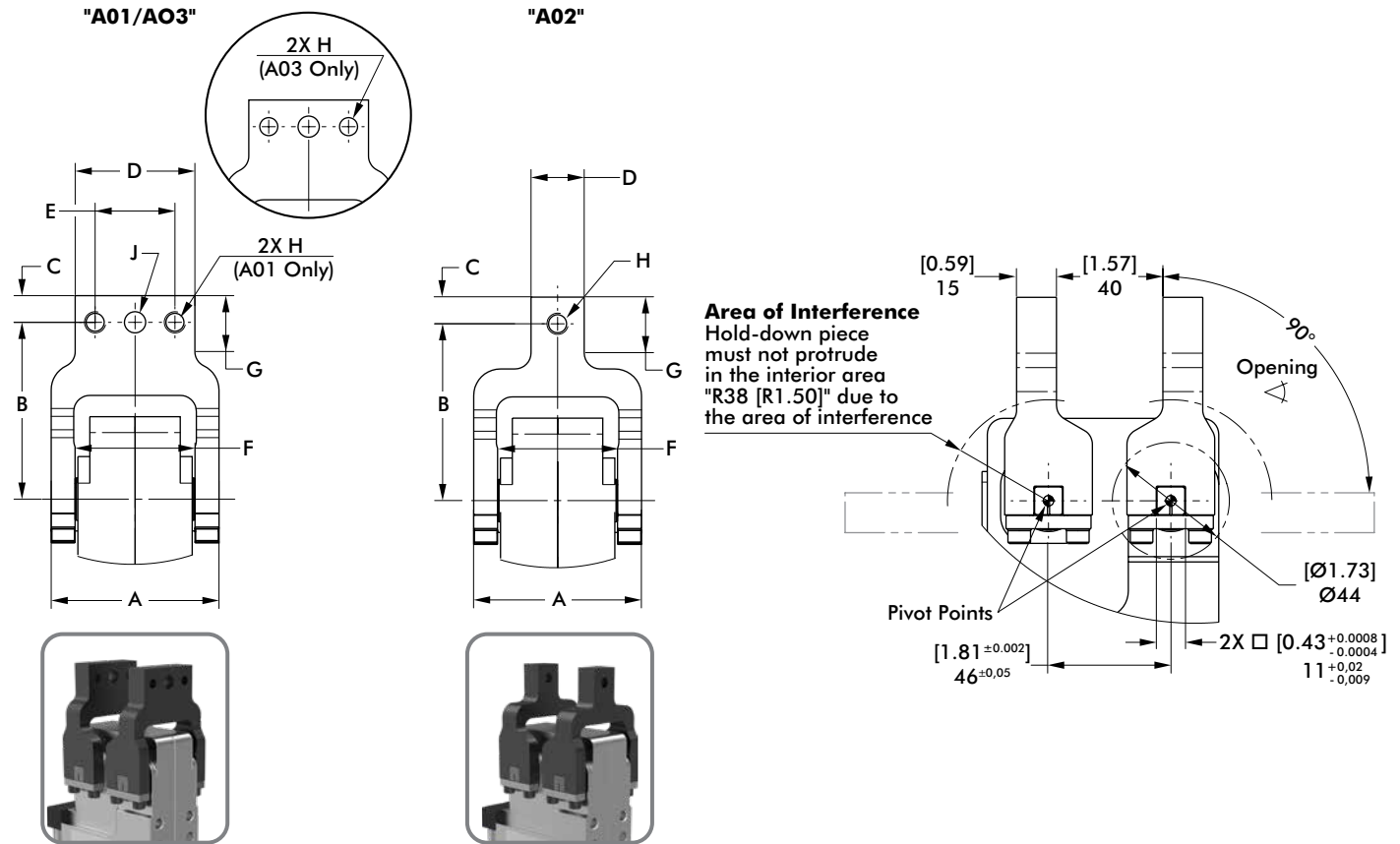
84A

Enclosed Pneumatic Power Clamps | Dual Arm, Tolerance Compensation | Technical Specifications

Model	Connection	Max. Holding Torque at 5 bar [72psi] Nm [in-lb]	Max. Clamping Torque at 5 bar [72psi] Nm [in-lb]	Piston Ø mm [in]	~Weight kg [lb]	Air Consumption per double stroke at 5 bar [72 psi] liter [in ³]
84A40-1.....	G1/8	29 [257]	29 [257]	40 [1.57]	1,5 [3.31]	0,45 [27]
84A50-1.....	G1/4	136 [1200]	136 [1200]	50 [1.97]	2,4 [5.29]	0,72 [44]



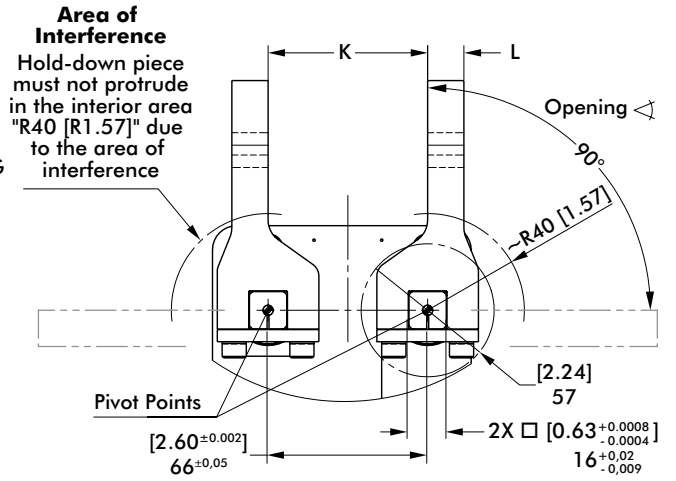
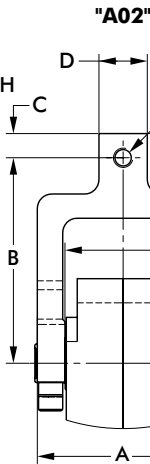
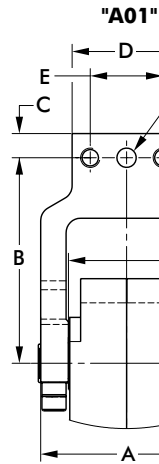
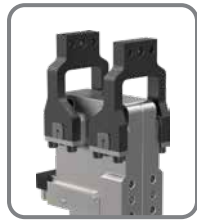
U-Type Central Clamping Arms (Aluminum) - For Size 84A40



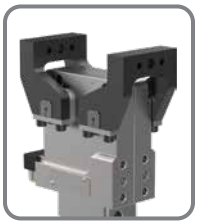
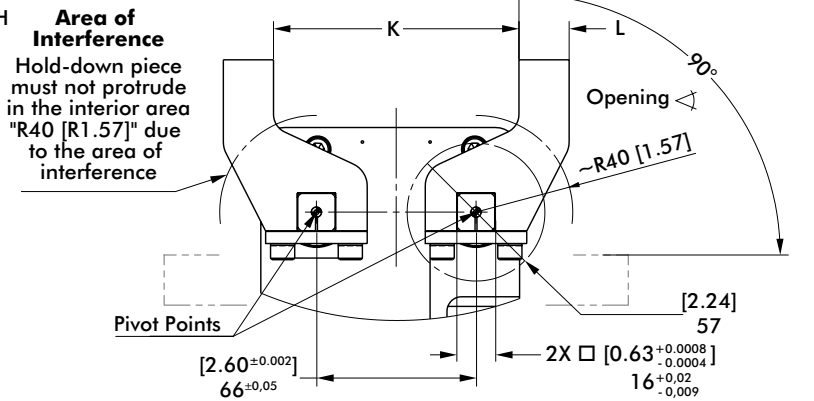
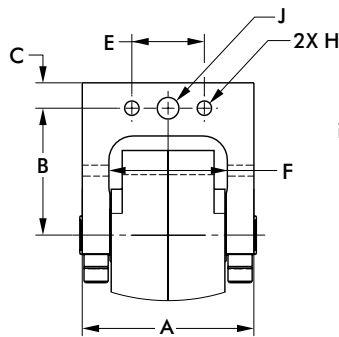
Arm Model No.	Arm Order No.	Weight kg [lb]	A ±0,5 [±0.02]	B ±0,1 [±0.004]	C -0,05 [-0.002]	D	E +0,2 [+0.008]	F	G	ØH	ØJ
A01	8AM801-40-066	0,17 [0.37]	[2.48]	[2.62]	[0.39]	45 [1.77]	30 [1.18] ±0,1 [±0.004]	[1.78]	[0.83]	M8	8 ^{H7} [0.31 ^{H7}]
A03	8AM803-40-001		63,1	66,5	10		30 [1.18] ±0,02 [±0.008]	45,1	21	[0.24 ^{H7}] 6 ^{H7}	9 [0.35]
A02	8AM802-40-066	0,14 [0.31]				20 [0.79]	--			M8	--

Enclosed Pneumatic Power Clamps | Dual Arm, Tolerance Compensation | Dimensions

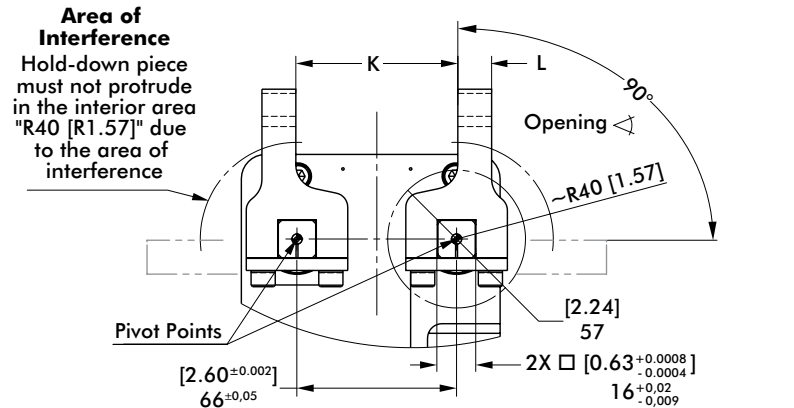
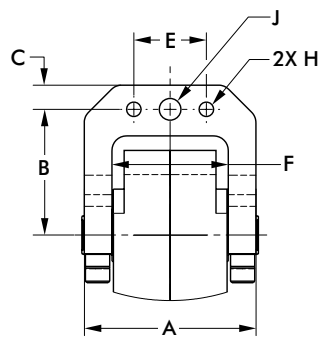
U-Type Central Clamping Arms (Aluminum) - For Size 84A50



"A03"



"A04"

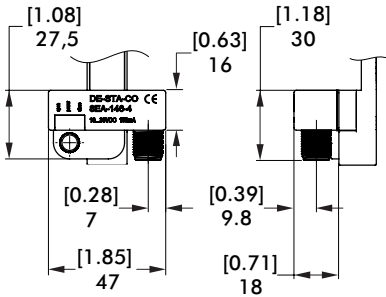


Arm Model No.	Arm Order No.	Weight kg [lb]	A ±0,5 [±0.02]	B ±0,1 [±0.004]	C -0,05 [-0.002]	D	E +0,2 [±0.008]	F	G	ØH	ØJ	K	L
A01	8AM801-50-085	[0.97] 0,44	[2.80] 71	[3.35] 85	[0.39] 10	[1.77] 45	30 [1.18] ±0,1 [±0.004]	[1.89] 48,1	[0.98] 25	M8	[0.31] 8 ^{H7}	[2.60] 66	[0.59] 15
A02	8AM802-50-085	[0.9] 0,41		[0.79] 20	--	--	[2.60 ± 0.002] 66 ± 0.05		2X □ [0.63 ± 0.0008 / -0.0004]	16 ± 0.02 / -0.009			
A03	8AM803-50-001	[1.1] 0,5		[2.07] 52,5	[0.41] 10,5	--	30 [1.18] ±0,02 [±0.008]	--	[0.24 ^{H7}] 6 ^{H7}	[0.35] 9	[4.00] 101.5	[0.82] 20.75	
A04	8AM804-50-001	[0.79] 0,36		[2.05] 52	[0.39] 10	--	30 [1.18] ±0,02 [±0.008]	--	[0.24 ^{H7}] 6 ^{H7}	[0.35] 9	[2.64] 67	[0.55] 14	

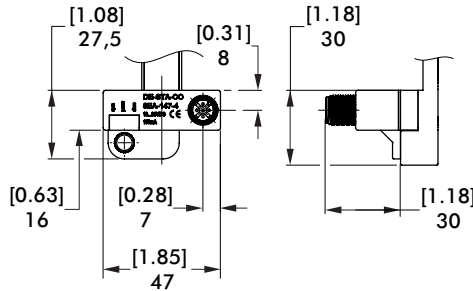
84A

Enclosed Pneumatic Power Clamps | Dual Arm, Tolerance Compensation | Dimensions

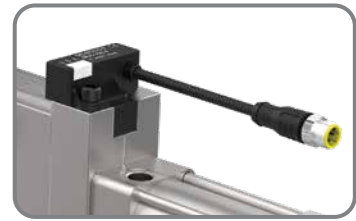
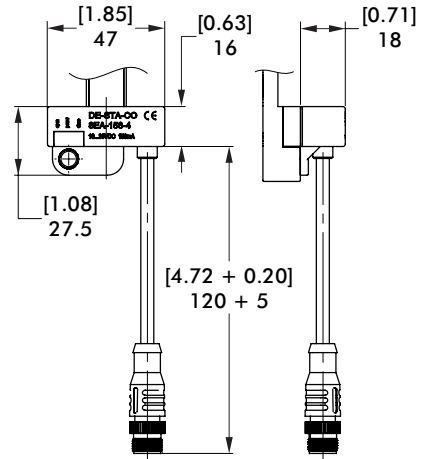
L8, N8 Inductive Sensing System



L9, N9 Inductive Sensing System with 90° Connector

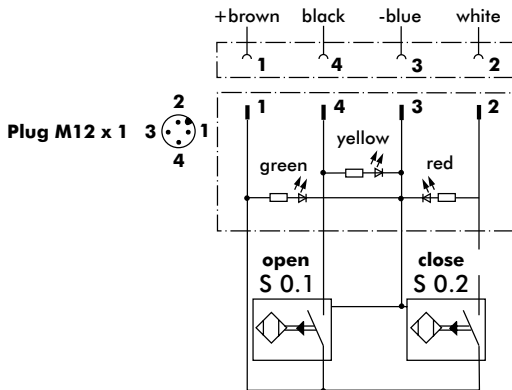


K8, K9 Inductive Sensing System with Pigtail Connector



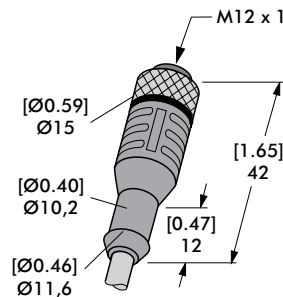
Inductive Sensor Wiring Diagram

Sensing system immune to interference from AC / DC arc welding.

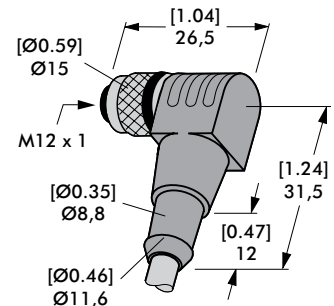


Sensor Cable Accessories

Sensor Cables (1 connector & 5m cable)	Order no.
M12x1 connector, straight, 5-pin	8EL-002-1
M12x1 connector, 90° angular, 4-pin	8EL-003-1



Straight Cable
8EL-002-1



Angular Cable
8EL-003-1

